

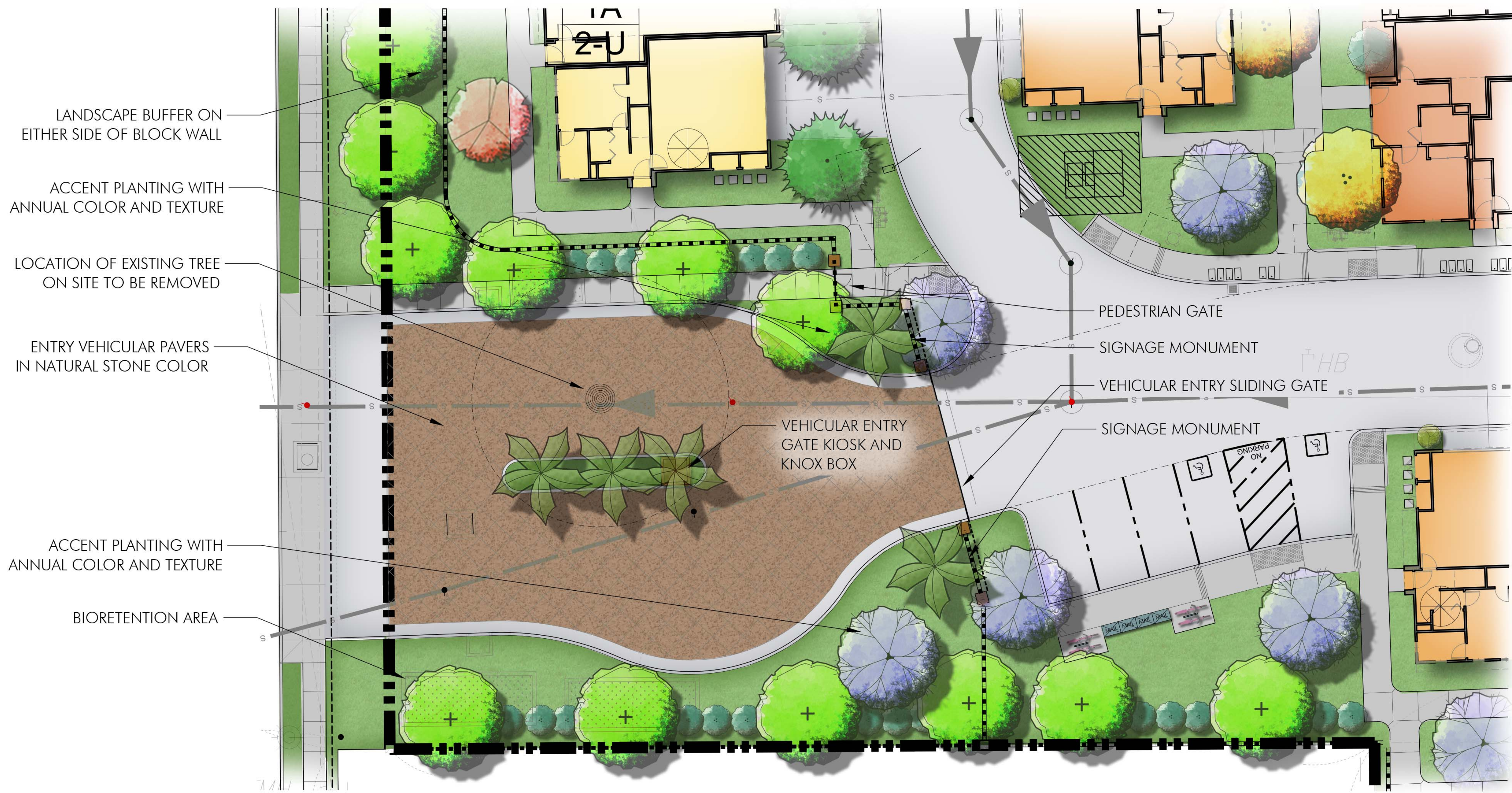


PLANT SCHEDULE

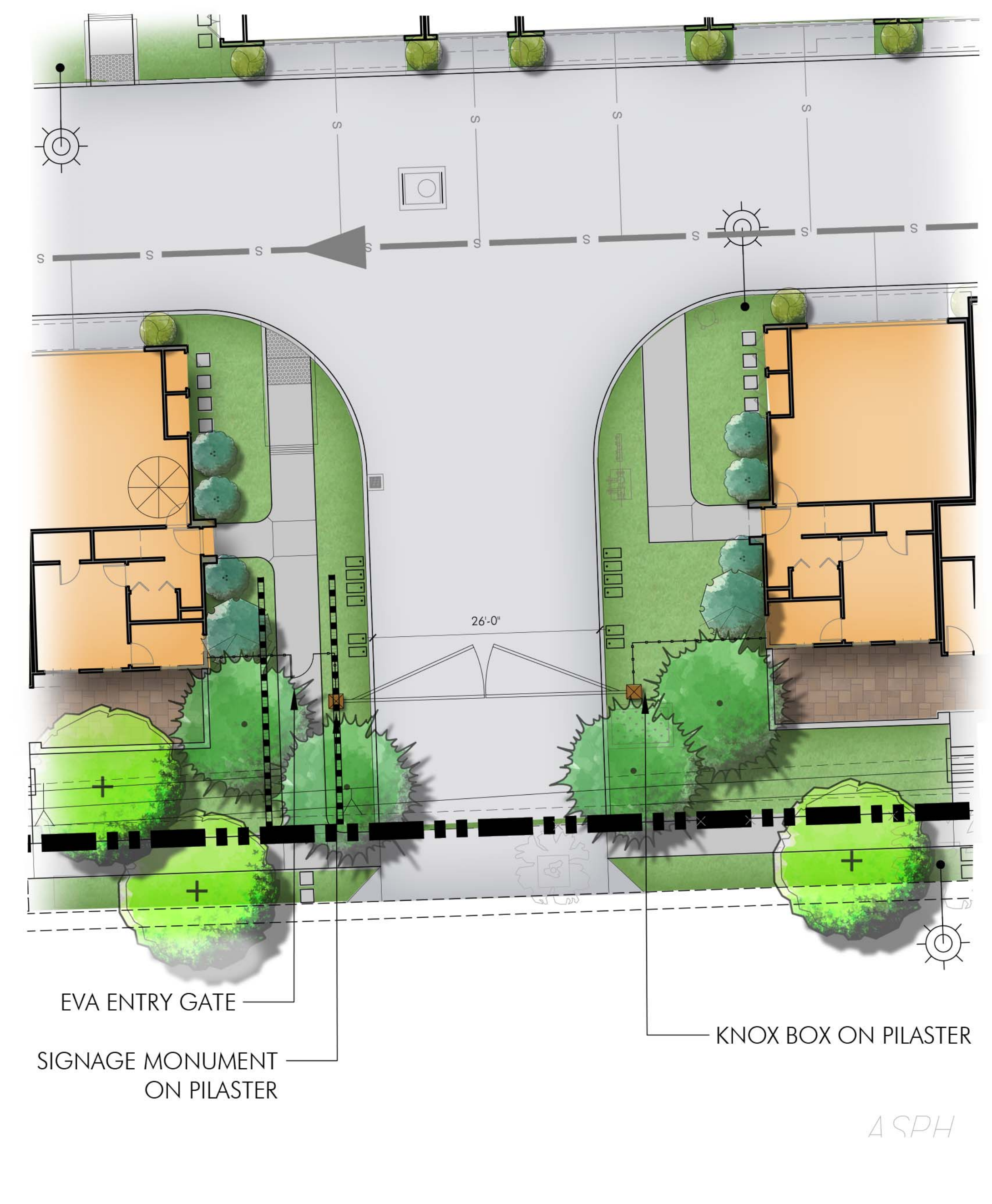
TREES	BOTANICAL NAME	COMMON NAME	SIZE	WUCOLS	QTY	
	CUPANOPSIS ANACARDIODES	CARROT WOOD	24" BOX	M	14	
	CUPRESSUS SEMPERVIRENS 'GLAUCA'	ITALIAN CYPRESS	36" BOX	L	74	
	GEUERA PARVIFLORA	AUSTRALIAN WILLOW	36" BOX	L	20	
	JUNIPERUS CHINENSIS 'BLUE POINT'	BLUE POINT JUNIPER	15 GAL	L	186	
	LAGERSTROEMIA INDICA X FAUREI 'NATCHEZ'	NATCHEZ CRAPE MYRTLE	36" BOX	M	17	
	LOPHOSTEMON CONFERTUS	BRISBANE BOX	36" BOX	M	63	
	OLEA EUROPAEA 'SWAN HILL' TM	SWAN HILL OLIVE	48" BOX	L	16	
	PHOENIX DACTYLIFERA 'MEDJOO'	DATE PALM	22" BTH	L	36	
	PODOCARPUS HENKELII	LONG-LEAFED YELLOW WOOD	36" BOX	M	25	
	PRUNUS CAROLINIANA 'BRIGHT 'N TIGHT' TM	BRIGHT 'N TIGHT CAROLINA LAUREL	36" BOX	M	119	
	PRUNUS CERASIFERA 'KRAUTER VESUVIUS'	PURPLE LEAF PLUM	24" BOX	M	42	
SHRUBS	BOTANICAL NAME	COMMON NAME	SIZE	WUCOLS	SPACING	QTY
	AGAVE ATTENUATA	AGAVE	5 GAL	L	36" o.c.	32
	ALOE STRIATA	CORAL ALOE	5 GAL	L	30" o.c.	18
	ANIGOZANTHOS X 'BUSH GOLD'	KANGAROO PAW	5 GAL	M	30" o.c.	34
	BULUS MICROPHYLLA JAPONICA	JAPANESE BOXWOOD	5 GAL	M	15" o.c.	216
	DIETES BICOLOR	FORTNIGHT LILY	5 GAL	L	30" o.c.	11
	ECHVEVERIA X 'AFTERGLOW'	AFTERGLOW ECHEVERIA	5 GAL	L	18" o.c.	46
	EUPHORBIA TIRUCALLI	PENCIL TREE	5 GAL	L	36" o.c.	62
	FESTUCA MAIREI	ATLAS FESCUE	5 GAL	L	36" o.c.	221
	LIGUSTRUM TEXANUM	TEXAS PRIVET	5 GAL	M	30" o.c.	64
	PITOSPORUM TOBIRA 'CREAM DE MINT'	CREAM DE MINT DWARF MOCK ORANGE	5 GAL	M	48" o.c.	53

PLANTING NOTES:
 A. ALL PLANTING AT INTERSECTIONS AND DRIVEWAYS SHALL BE LOCATED SO AS TO ENSURE ADEQUATE SIGHT LINES FOR VEHICLES.
 B. ALL ABOVE GROUND UTILITIES INCLUDING IRRIGATION EQUIPMENT WILL BE SCREENED FROM VIEW.
 C. LANDSCAPE SHALL BE MAINTAINED WITH AN IRRIGATION SYSTEM, PERMANENTLY INSTALLED, WHICH DELIVERS WATER TO ALL LANDSCAPED AREAS.
 D. MODERATE AND LOW VALUERS WILL BE SEPARATED TO REDUCE WATER USE AND MINIMIZE OVER WATERING OF LOW WATER USE PLANTINGS MAY BE APPROPRIATE.
 E. ALL AGAVES TO BE PLACED A MINIMUM 2' AWAY FROM ALL PEDESTRIAN WALKS AND GATHERING AREAS.
 F. ALL TREES PLANTED WITHIN 6" OF PAVEMENT, CURBS, WALLS, OR BUILDINGS SHALL BE INSTALLED WITH LINEAR ROOT BARRIERS. ROOT BARRIERS SHALL BE PLACED AT THE EDGE OF THE ADJACENT PAVEMENT, CURB, WALL OR BUILDING (DO NOT ENCIRCLE ROOTBALLS). LENGTH OF ROOT BARRIER IS EQUAL TO ULTIMATE DRIP LINE OF TREE (EXTEND 8' MINIMUM EACH SIDE OF THE CENTER OF THE TREE).

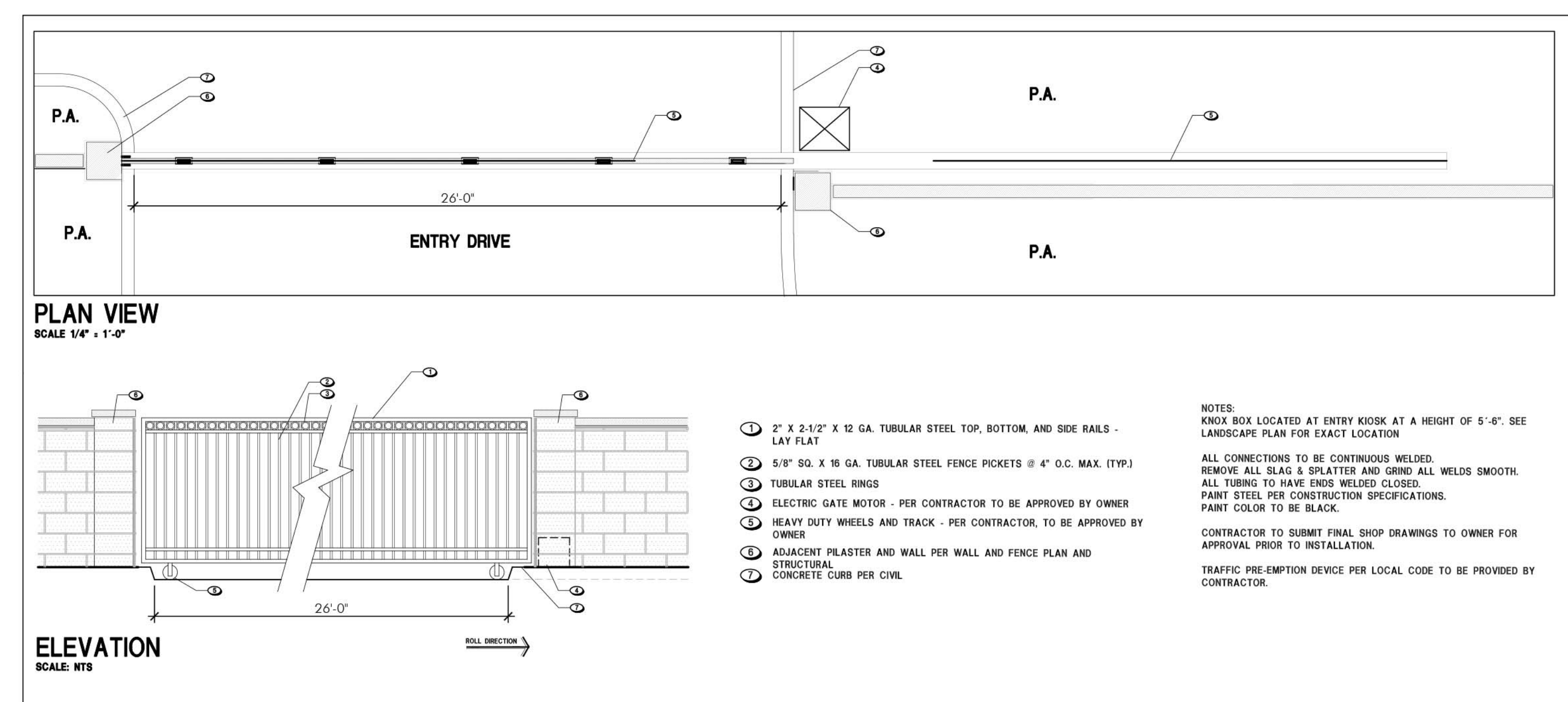




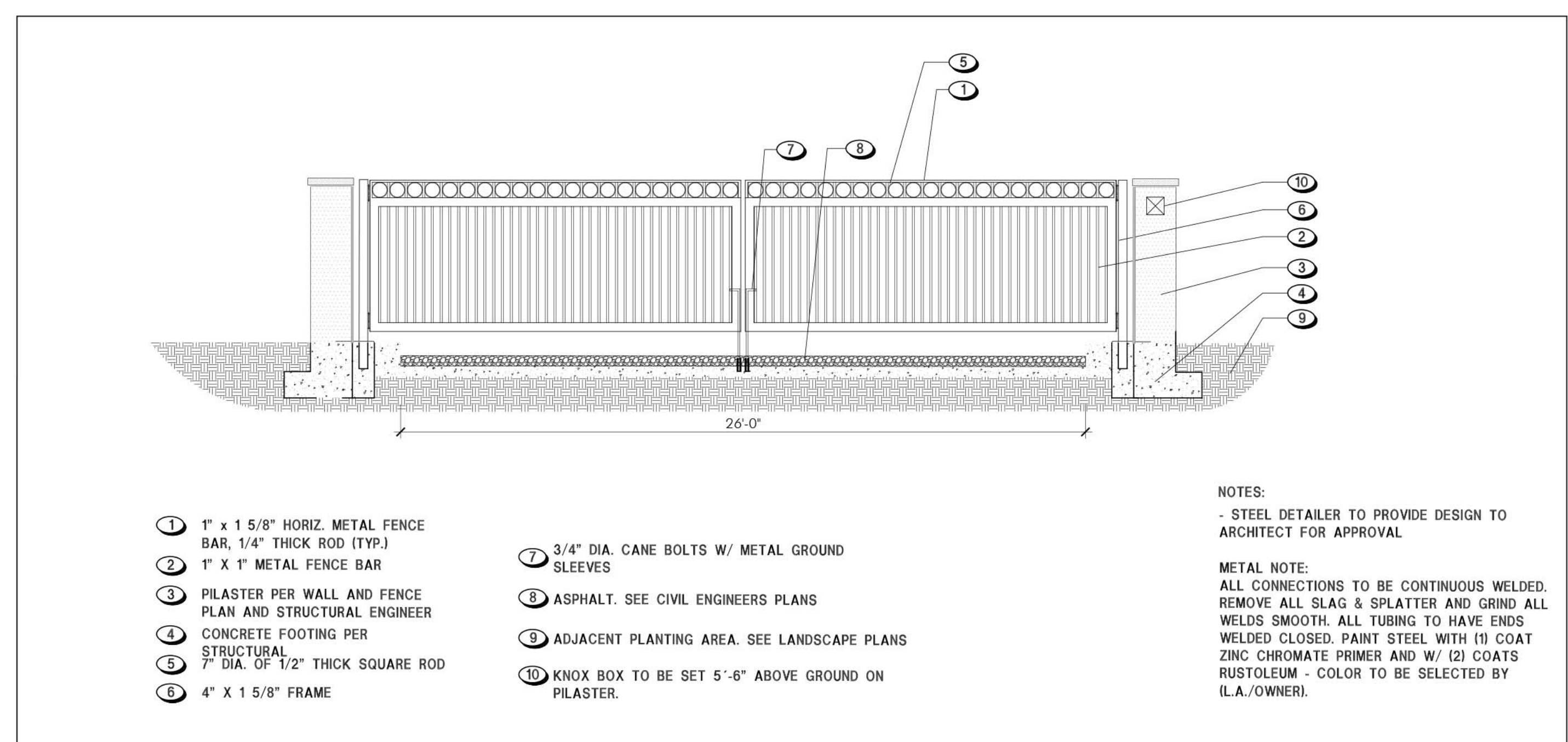
FRONT GATE ENTRY



EVA GATE ENTRY



FRONT GATE DETAILS



EVA GATE DETAIL



FENCE AND WALL LEGEND

SYMBOL	WALL TYPE
	8" CMU BLOCK WALL (EXISTING)
	8" CMU SPLIT FACE BLOCK WALL
	8" CMU SPLIT FACE BLOCK WALL WITH RETAINING
	3" CMU SPLIT FACE WALL WITH TUBULAR STEEL FENCE ON TOP, 6' MAX HEIGHT TOTAL
	6' POOL/ PERIMETER FENCE
	3" MAX RETAINING WALL - SEE CIVIL'S DRAWINGS.
	PILASTER, EVERY 8'-10" ON CMU WALLS
	GATE
	6' HIGH TUBE STEEL EVA GATE

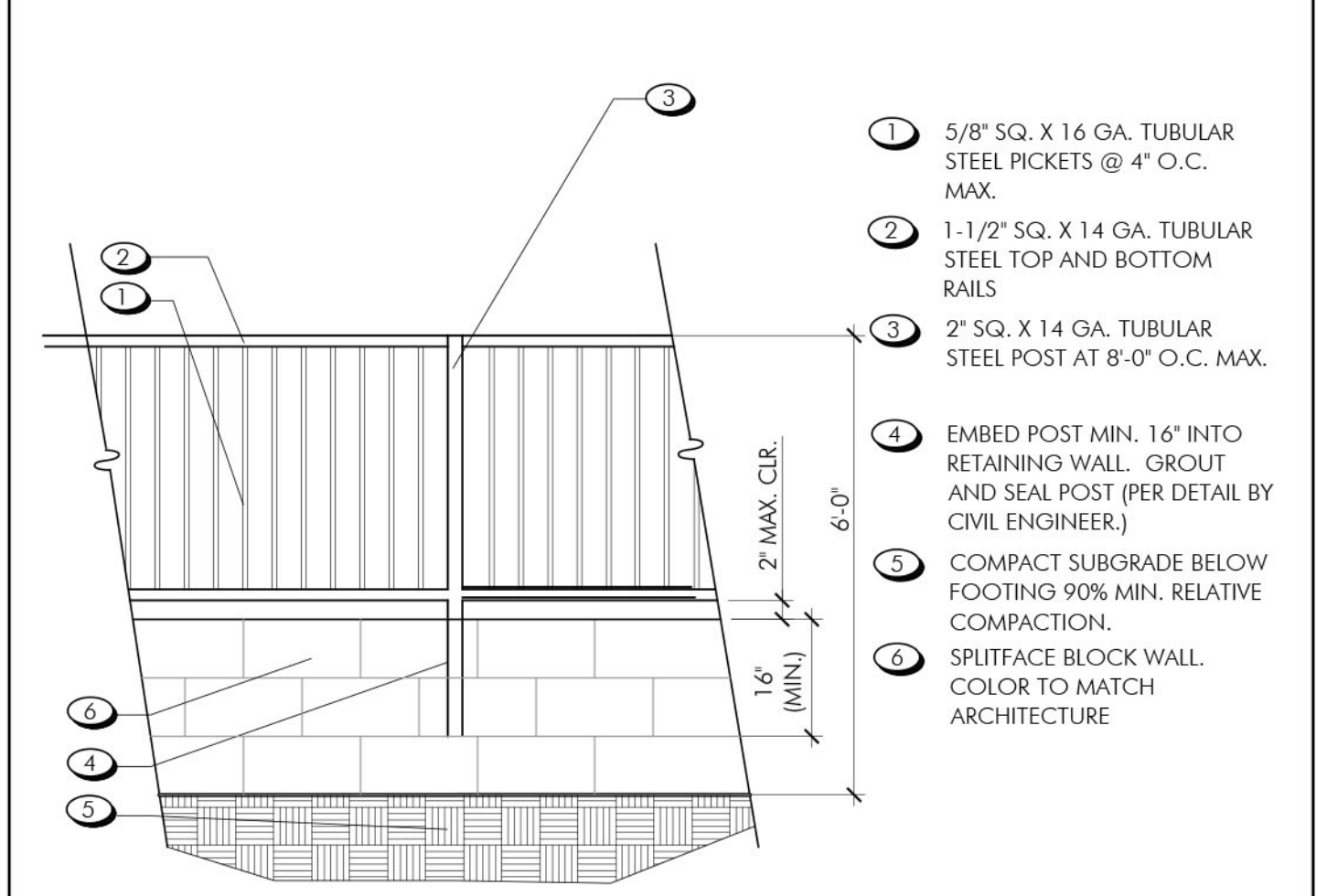


SPLITFACE BLOCK WALL WITH PILASTERS

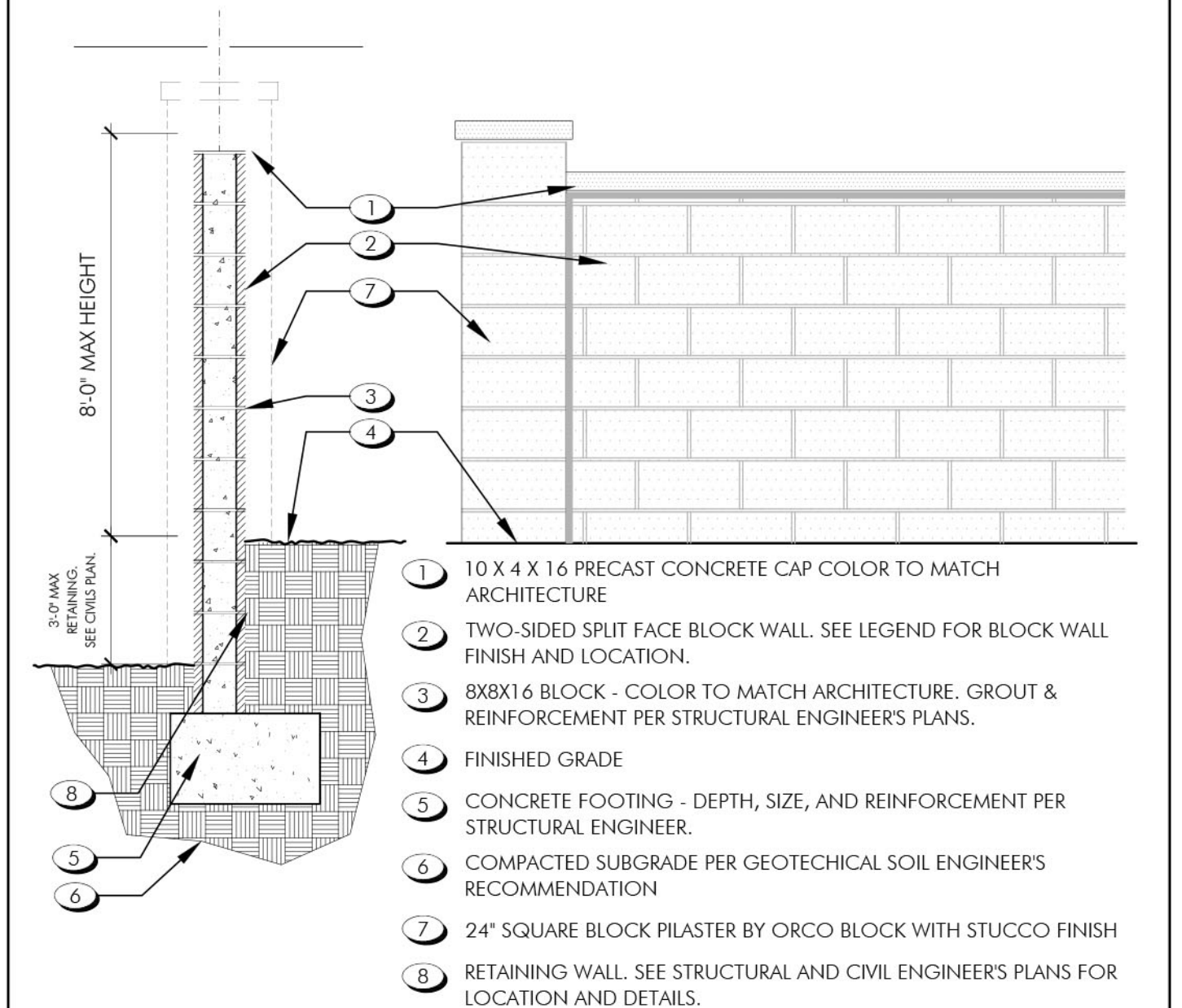


TUBULAR STEEL FENCE

NOTES:
 ALL METAL FASTENERS AND HARDWARE TO BE GALVANIZED.
 ALL CONNECTIONS TO BE CONTINUOUS WELDED. REMOVE ALL SLAG & SPATTER AND GRIND ALL WELDS SMOOTH. ALL TUBING TO HAVE ENDS WELDED CLOSED. PAINT STEEL COLOR BLACK (SEE CONSTRUCTION SPECIFICATIONS). CONTRACTOR TO SUBMIT FINAL SHOP DRAWING TO OWNER FOR APPROVAL PRIOR TO INSTALLATION.



A STEEL FENCE ON TOP OF BLOCK WALL 1/2" = 1'-0"

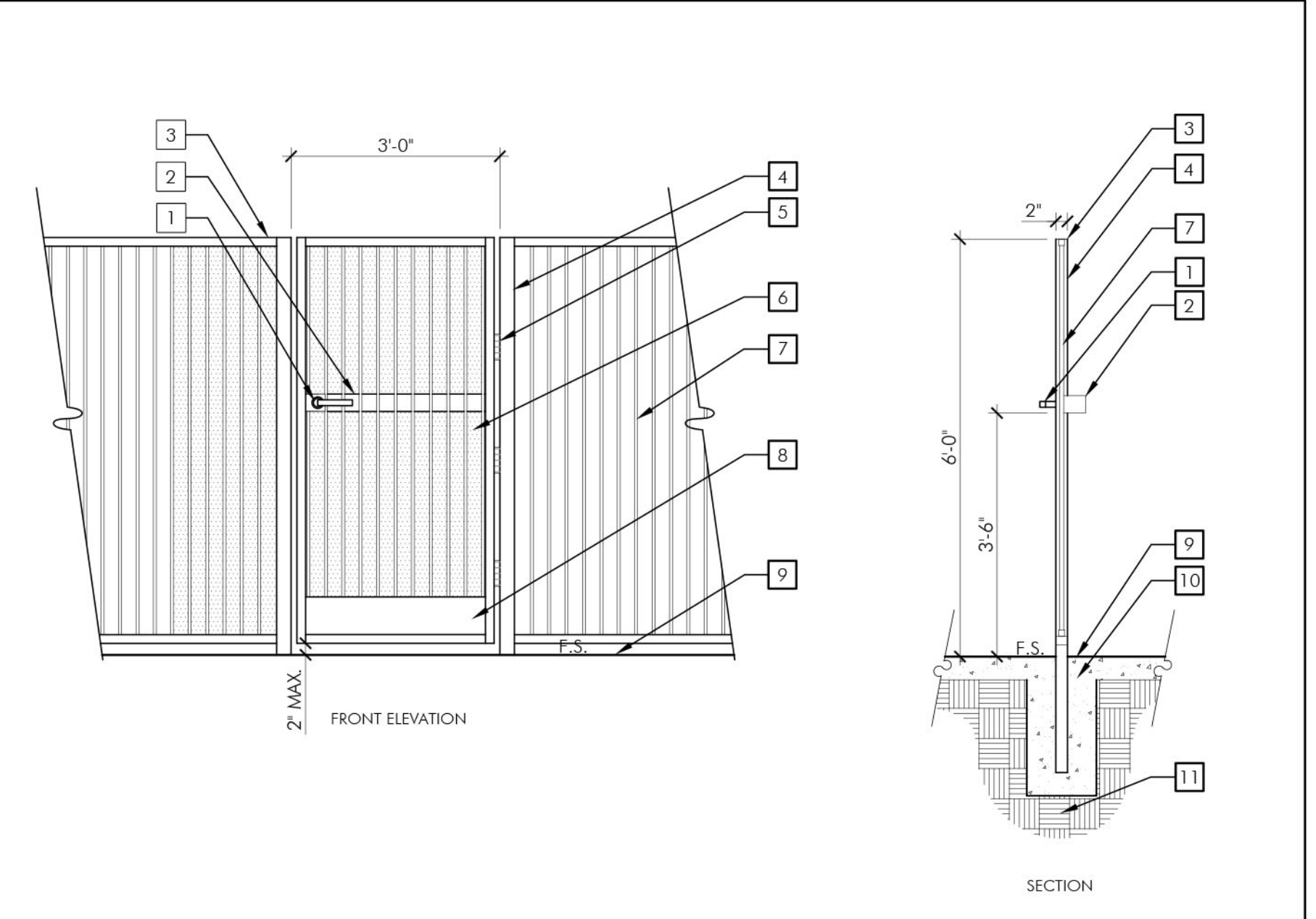


B BLOCK WALL ON RETAINING WALL 1/2" = 1'-0"

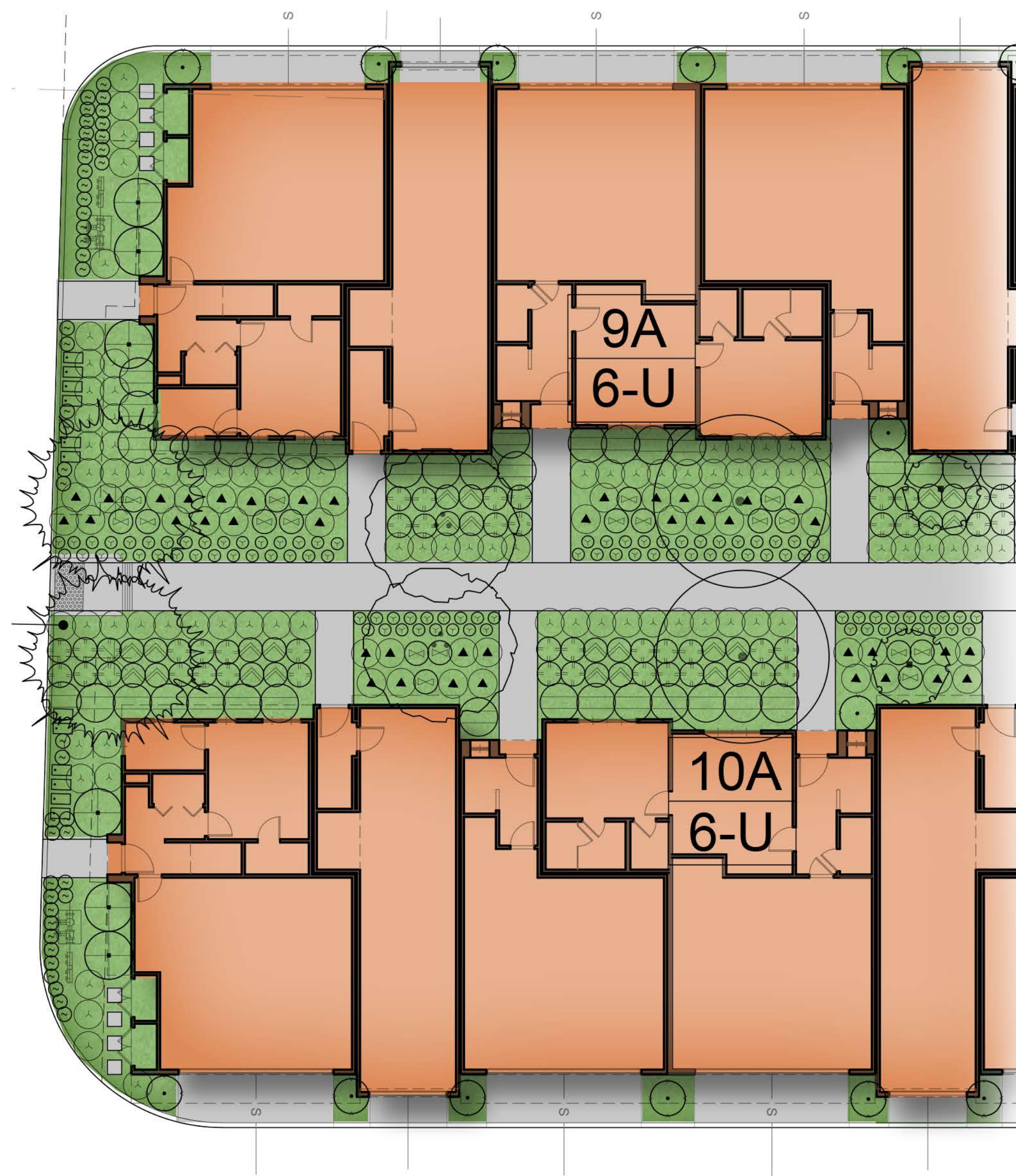
- [1] SELF-LATCHING GATE LATCH - GATE LATCH/HANDLE ASSEMBLY BY CONTRACTOR LOCATED ON EXTERIOR SIDE OF GATE - GATE MUST BE CAPABLE OF BEING LOCKED AND SECURELY CLOSED
- [2] PANIC HARDWARE INSTALLED ON ALL POOL GATES ON THE INTERIOR SIDE - 42" TO BOTTOM OF HARDWARE
- [3] 1-1/2" SQ. X 14 GA. TUBULAR STEEL TOP AND BOTTOM RAILS
- [4] 2" SQ. X 12 GA. TUBULAR STEEL POST AT 8'-0" O.C. MAX
- [5] GATE HINGES - TO BE SELF-CLOSING, LOCATION AND TYPE PER CONTRACTOR
- [6] 1/4" GA. STAINLESS STEEL PANEL W/ 1/8" DIA. HOLES (3/16" STAGGERED CENTERS) WELDED TO POOL SIDE OF GATE & ADJACENT FENCING, PAINT TO MATCH RAILS AND PICKETS
- [7] 5/8" SQ. X 16 GA. TUBULAR STEEL PICKETS @ 4" O.C. MAX
- [8] 10" HIGH METAL KICK PLATE (BOTH SIDES)
- [9] FINISH SURFACE
- [10] CONCRETE FOOTING - SIZE AND REINFORCEMENT PER STRUCTURAL ENGINEERS RECOMMENDATIONS
- [11] COMPACT SUBGRADE BELOW FOOTING PER STRUCTURAL SOILS REPORT RECOMMENDATIONS

NOTES:

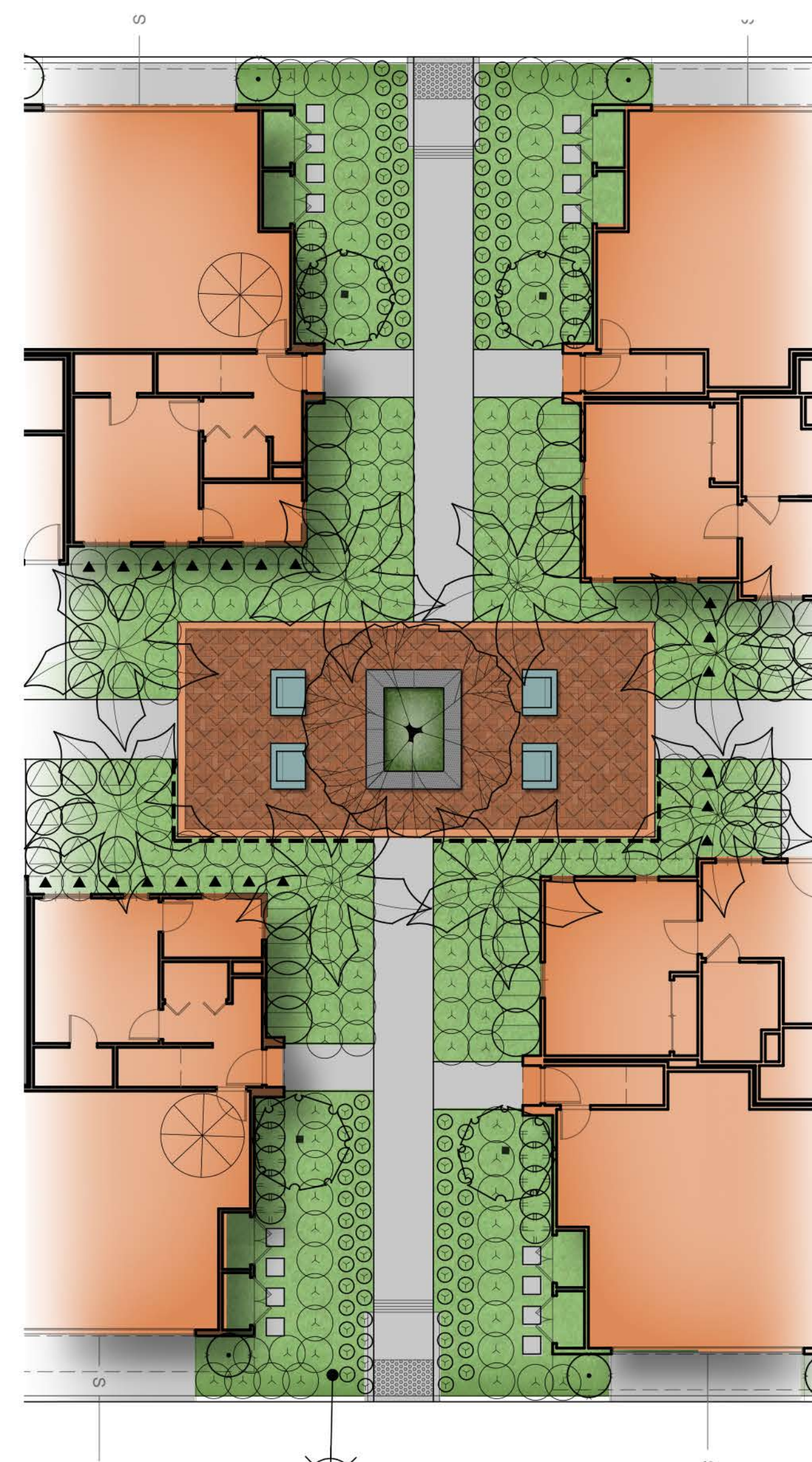
- ALL METAL FASTENERS AND HARDWARE TO BE PREGALVANIZED
- ALL TUBULAR STEEL SHALL BE COLD ROLLED STEEL COVERED WITH UNIFORM EXTERIOR G-90 PREGALVANIZED - ALL CONNECTIONS TO BE CONTINUOUS WELDED
- AFTER PANEL IS FABRICATED
- ALL WELDS SHALL BE COATED WITH COLD GALVANIZING
- PAINT STEEL PER CONSTRUCTION SPECIFICATIONS - COLOR PER COLOR
- CONSULTANT CONTRACTOR TO SUBMIT FINAL SHOP DRAWING TO OWNER FOR APPROVAL PRIOR TO INSTALLATION



C METAL PERIMETER FENCE 1/2" = 1'-0"



TYPICAL UNIT



COMMON AREA

PLANT SCHEDULE

TREES	BOTANICAL NAME	COMMON NAME	SIZE	WUCOLS	
	CUPANIOPSIS ANACARDIODES	CARROT WOOD	24" BOX	M	
	CUPRESSUS SEMPERVIRENS 'GLAUCA'	ITALIAN CYPRESS	36" BOX	L	
	GEIGERA PARVIFLORA	AUSTRALIAN WILLOW	36" BOX	L	
	JUNIPERUS CHINENSIS 'BLUE POINT'	BLUE POINT JUNIPER	15 GAL	L	
	LAGERSTROEMIA INDICA X FAUREI 'NATCHEZ'	NATCHEZ CRAPE MYRTLE	36" BOX	M	
	LOPHOSTEMON CONFERTUS	BRISBANE BOX	36" BOX	M	
	OLEA EUROPAEA 'SWAN HILL' TM	SWAN HILL OLIVE	48" BOX	L	
	PHOENIX DACTYLIFERA 'MEJOOOL'	DATE PALM	22" BTH	L	
	PODOCARPUS GRACILIOR	FERNI PINE	EXISTING	M	
	PODOCARPUS HENKELII	LONG-LEAFED YELLOW WOOD	36" BOX	M	
	PRUNUS CAROLINIANA 'BRIGHT 'N TIGHT' TM	BRIGHT 'N TIGHT CAROLINA LAUREL	36" BOX	M	
	PRUNUS CERASIFERA 'KRAUTER VESUVIUS'	PURPLE LEAF PLUM	24" BOX	M	
SHRUBS	BOTANICAL NAME	COMMON NAME	SIZE	WUCOLS	SPACING
	AGAVE ATTENUATA	AGAVE	5 GAL	L	36" o.c.
	ALOE STRIATA	CORAL ALOE	5 GAL	L	30" o.c.
	ANIGOZANTHOS X 'BUSH GOLD'	KANGAROO PAW	5 GAL	M	30" o.c.
	BUXUS MICROPHYLLA JAPONICA	JAPANESE BOXWOOD	5 GAL	M	15" o.c.
	DIETES BICOLOR	FORTNIGHT LILY	5 GAL	L	30" o.c.
	ECHEVERIA X 'AFTERGLOW'	AFTERGLOW ECHEVERIA	5 GAL	L	18" o.c.
	EUPHORBIA TIRUCALLI	PENCIL TREE	5 GAL	L	36" o.c.
	FESTUCA MAIREI	ATLAS FESCUE	5 GAL	L	36" o.c.
	LIGUSTRUM TEXANUM	TEXAS PRIVET	5 GAL	M	30" o.c.
	PITTOSPORIUM TOBIRA 'CREAM DE MINT'	CREAM DE MINT DWARF MOCK ORANGE	5 GAL	M	48" o.c.
	SENECIO MANDRAUSCAE 'BLUE CHALK STICKS'	SENECIO	1 GAL	L	18" o.c.
	TRACHELOSPERMUM JASMINOIDES	CHINESE STAR JASMINE	5 GAL	M	24" o.c.



PRUNUS CERASIFERA 'KRAUTER VESUVIUS'



PRUNUS CAROLINIANA 'BRIGHT N TIGHT'



PODOCARPUS HENKELII



PHOENIX DACTYLIFERA 'MEJOOOL'



OLEA EUROPAEA 'SWAN HILL'



LOPHOSTEMON CONFERTUS



LAGERSTROEMIA INDICA 'NATCHEZ'



JUNIPERUS CHINENSIS 'BLUE POINT'



CUPRESSUS SEMPERVIRENS 'GLAUCA'



CUPANIOPSIS ANACARDIODES



TRACHELOSPERMUM JASMINOIDES



LIGUSTRUM JAPONICUM 'TEXANUM'



FESTUCA MAIREI



ECHEVERIA X 'AFTERGLOW'



DIETES BICOLOR



BUXUS MICROPHYLLA JAPONICA



ANIGOZANTHOS X 'BUSH GOLD'



ALOE STRIATA



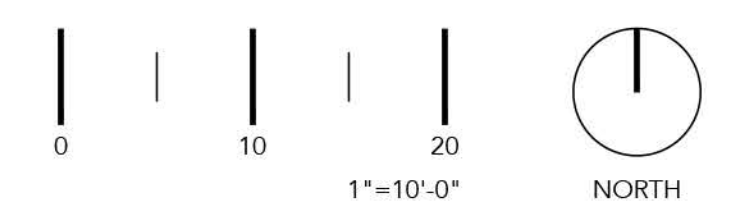
AGAVE DESMETTIANA

VICTORIA GREENS

CARSON | CALIFORNIA

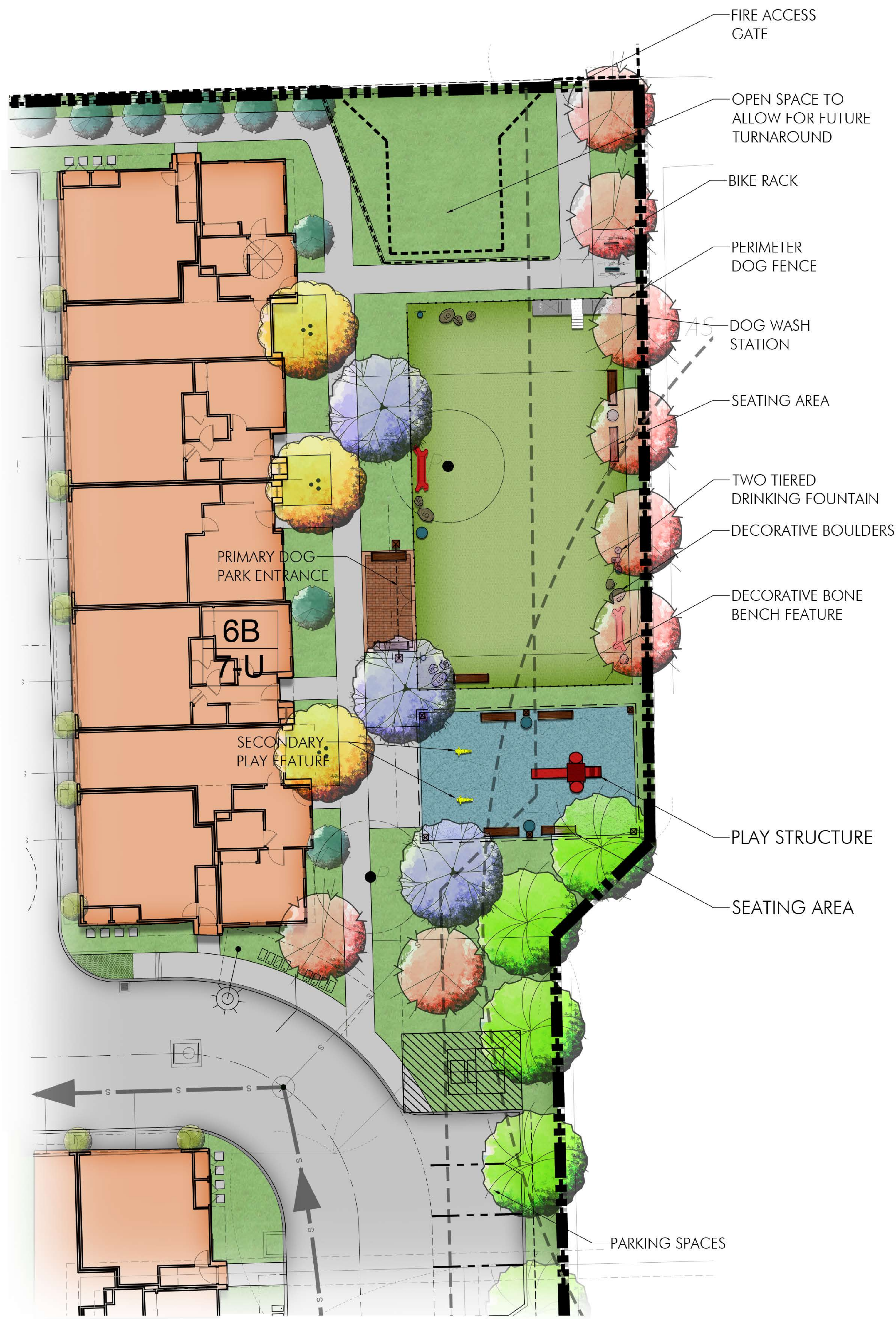
INTEGRAL COMMUNITIES | 17-064

DATE 5 | 17 | 19

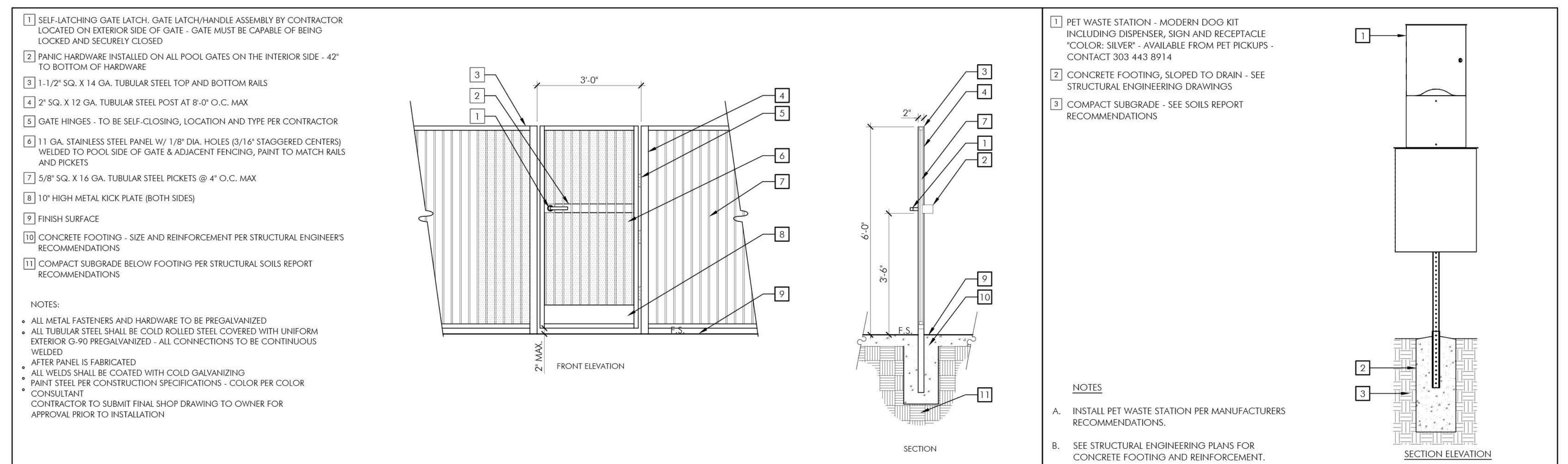


TYPICAL FRONT YARD PLANTING | L5

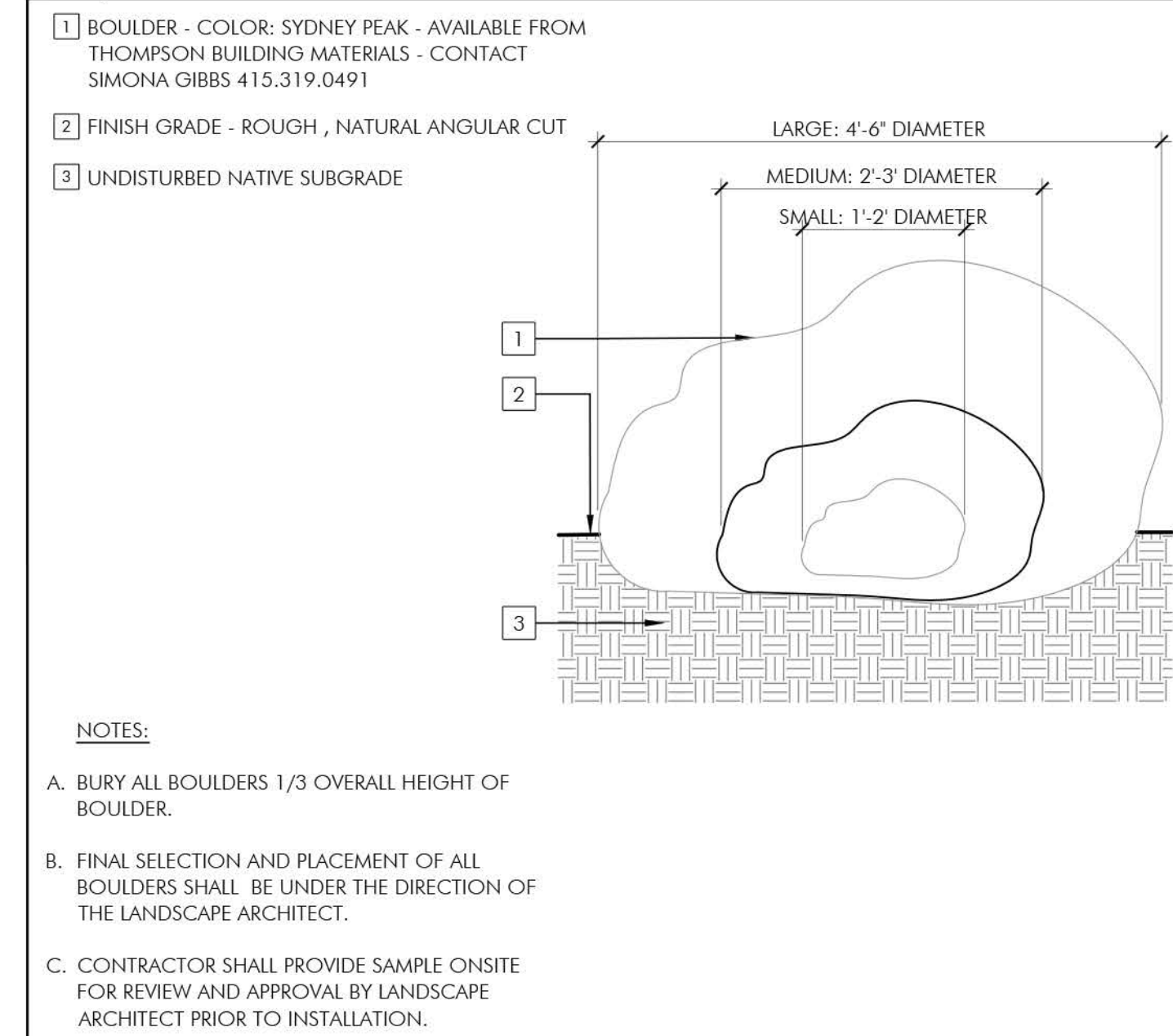




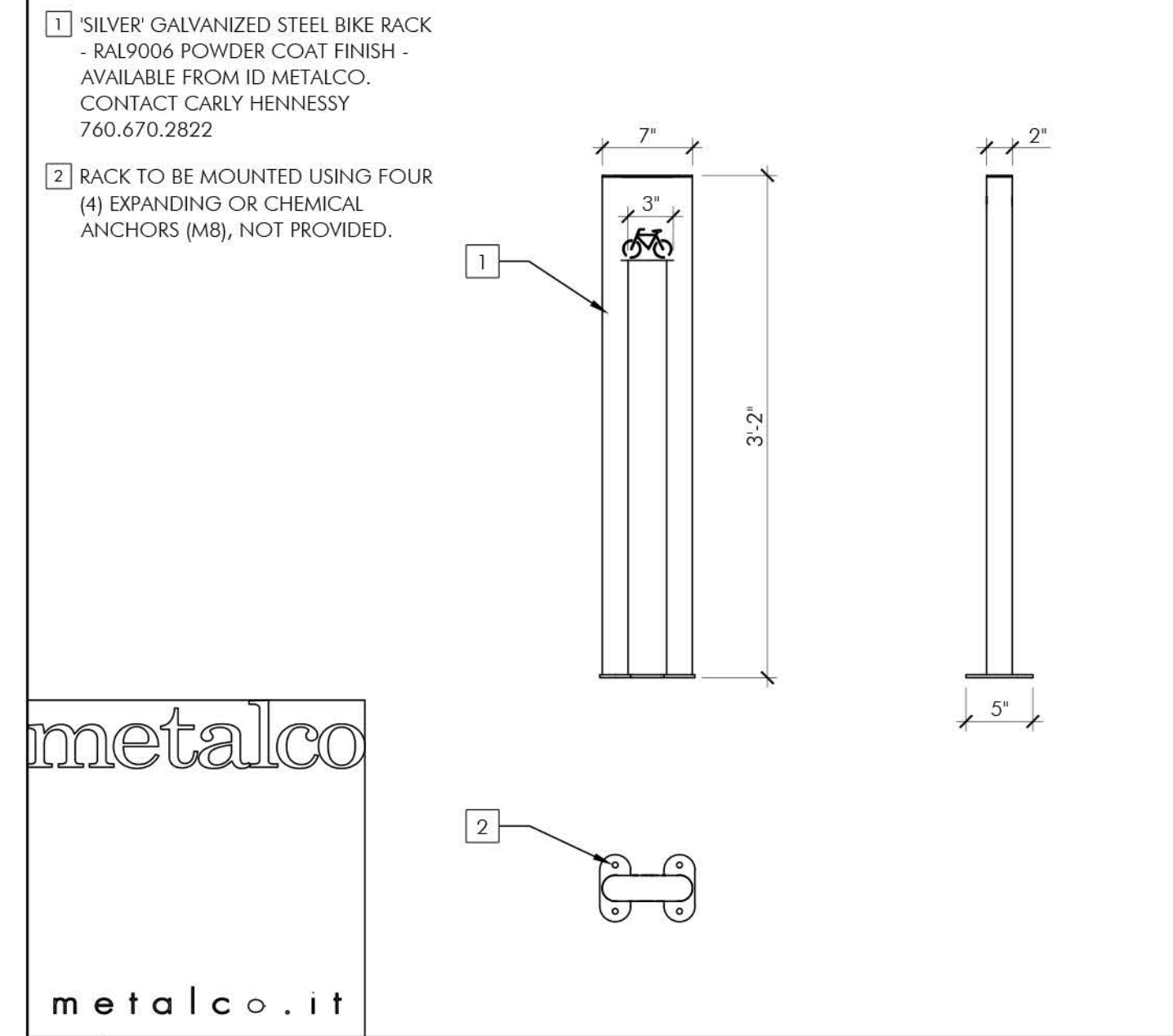
TOT LOT & DOG PARK AREAS



A METAL PERIMETER FENCE

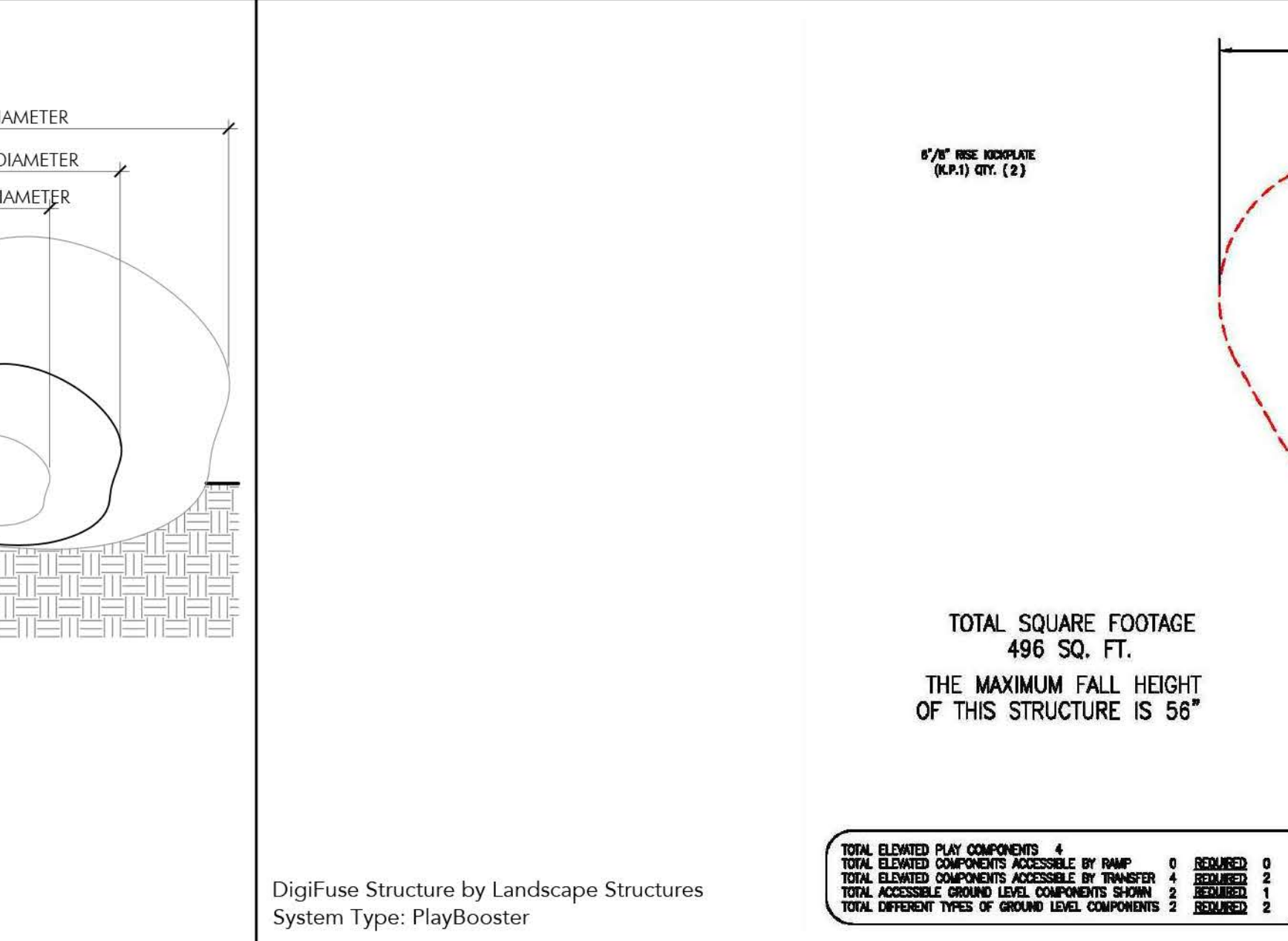


C BOULDER



E 'SILVER' BIKE RACK

B PET WASTE STATION



D PLAY EQUIPMENT

